

HOISTWAY STRAIGHT-THRU PLATFORM (PIT APPLICATION)

VPL-3200B SERIES VERTICAL PLATFORM LIFT

TECHNICAL DATA/SPECIFICATIONS

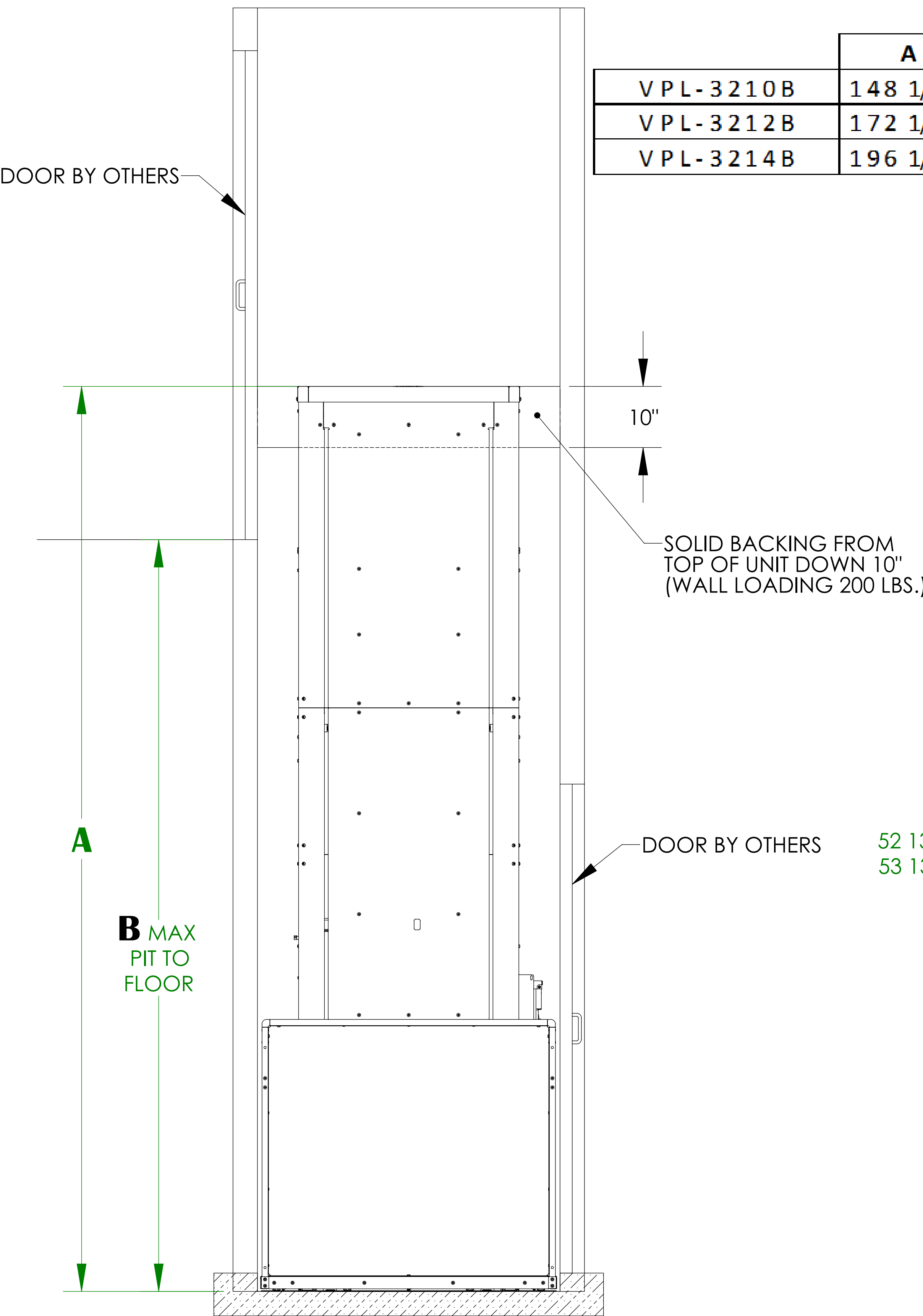
RATED LOAD: 750 lbs maximum.
 INPUT POWER SOURCE:
 -DC BATTERY POWERED UNIT: 110-120 Volt 3 Amp 60 Hz battery charger.
 DRIVE:
 -DC BATTERY POWERED UNIT: VPL-3200B: 1 hp motor, 1750 rpm, 24 VDC, continuous duty.
 INTERMEDIATE REDUCTION: Dual 4L style Poly-V belts and pulleys, 3.94:1 pulley reduction.
 FINAL DRIVE: VPL-3200B: 1.25" dia. ACME screw w/bronze nut and bronze safety back up nut.
 MOTOR CONTROLLER:
 -DC BATTERY POWERED UNIT: 24 VDC Relay control.
 SPEED:
 -DC BATTERY POWERED UNIT: 10 feet per minute maximum

For complete technical specifications please see
 ILS-00986 "VPL-3200B Series Residential Vertical Platform Lift Technical Specification"

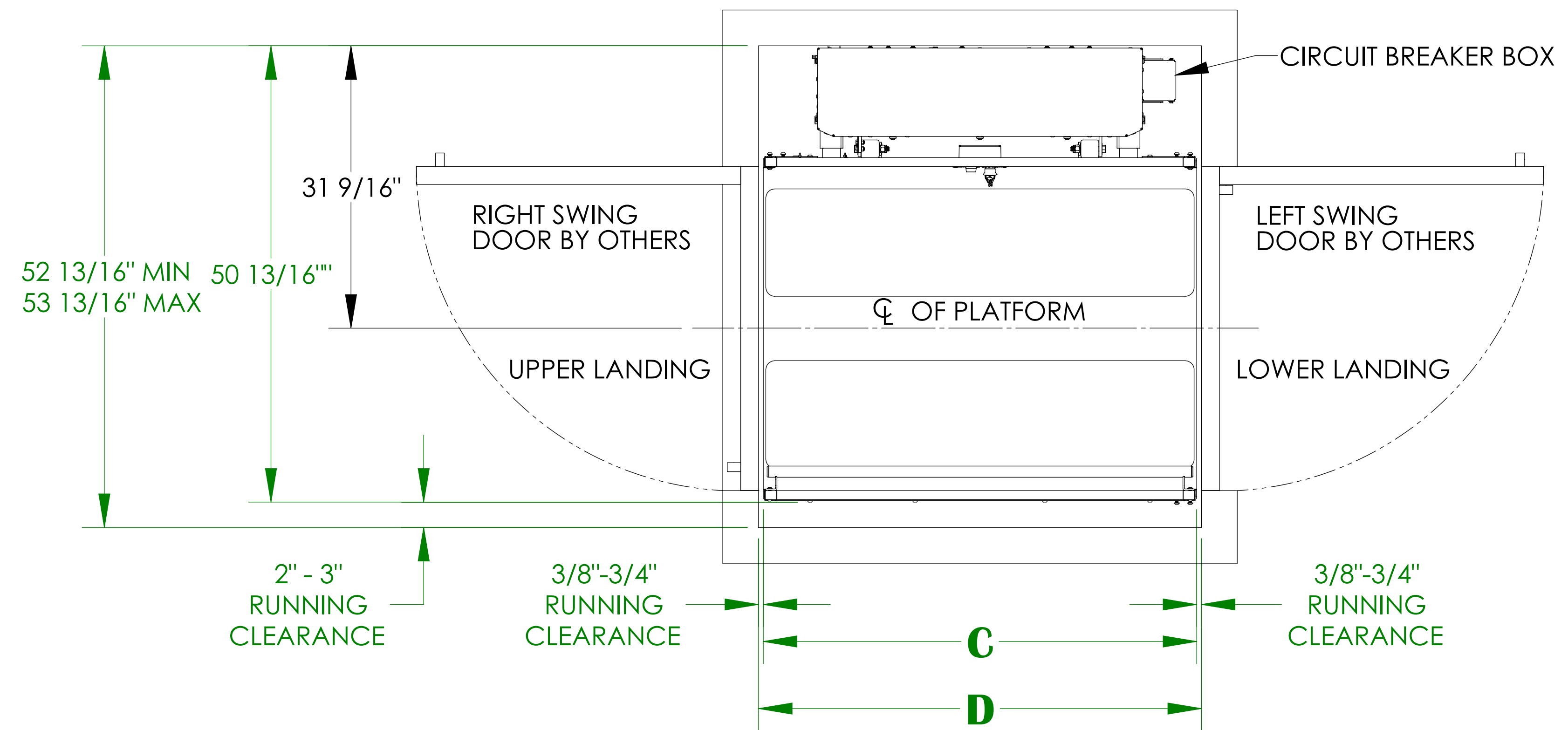
PERFORMANCE STANDARDS

USA FOOD & DRUG ADMINISTRATION: None
 ANSI/ASME: A18.1-2008 Section 5 Safety Standards for Platform lifts and Stairway Chairlifts
 CSA B613-00 (JAN 2002) Private Residence Lifts for Persons with Physical Disabilities
 ANSI/ASME: CSA B44.1-04/ASME-A17.5-2004 Elevator and Escalator Electrical Equipment

	A	B
V P L - 3 2 1 0 B	148 1/16"	123"
V P L - 3 2 1 2 B	172 1/16"	147"
V P L - 3 2 1 4 B	196 1/16"	171"



ELEVATION VIEW
(RIGHT HAND UNIT SHOWN)



PLAN VIEW
(RIGHT HAND UNIT SHOWN)

	C	D
48" PLATFORM	48 7/16"	49 3/16" - 49 15/16"
54" PLATFORM	54 7/16"	55 3/16" - 55 15/16"
60" PLATFORM	60 7/16"	61 3/16" - 61 15/16"

NOTES:

- HOISTWAY IN ACCORDANCE WITH SAFETY CODES (ASME -A18.1) AND TO LOCAL CODES AND REGULATIONS. HOISTWAY TO BE FIRE RATED IN ACCORDANCE WITH APPLICABLE BUILDING CODES IF REQUIRED BY SUCH CODES.
- PLUMB HOISTWAY DUE TO CLOSE RUNNING CLEARANCES. MUST BE CONSTRUCTED PLUMB ($\pm 1/8$ IN) AND SQUARE AND TO SIZE SHOWN.
- NO CONDUIT, WIRING OR PIPING OTHER THAN THAT PERTAINING TO THE UNIT IS PERMITTED IN THE HOISTWAY.

HOISTWAY STRAIGHT-THRU PLATFORM (PIT APPLICATION)

VPL-3200B SERIES VERTICAL PLATFORM LIFT

ANCHOR POINT LOCATIONS/PIT DETAIL

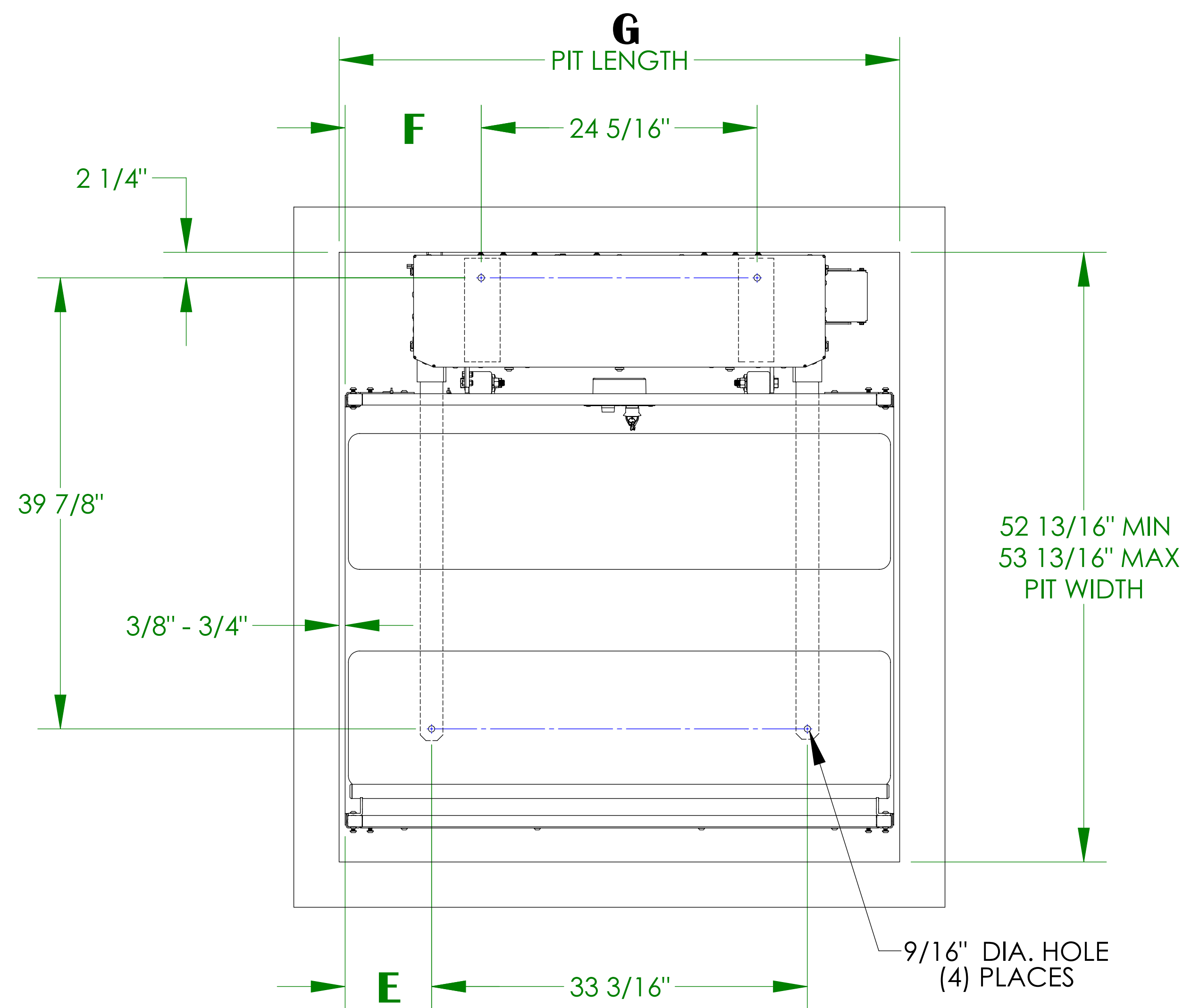
	E	F	G
48" PLATFORM	7 5/8"	12 1/16"	49 3/16" - 49 15/16"
54" PLATFORM	10 5/8"	15 1/16"	55 3/16" - 55 15/16"
60" PLATFORM	13 5/8"	18 1/16"	61 3/16" - 61 15/16"

TECHNICAL SPECIFICATIONS

FLOOR ATTACHMENT:
 VPL MUST BE FASTENED TO CONCRETE SLAB USING FOUR (4) 1/2" (3/8" BOLT) X MINIMUM 2-1/2" LONG CONCRETE ANCHORS SUITABLE FOR THE ENVIRONMENT. FOLLOW SELECTED CONCRETE ANCHOR MANUFACTURERS GUIDELINES AND APPLICABLE CODES.

FLOOR REQUIREMENTS:
 4" THICK 3500 PSI MINIMUM COMPRESSIVE STRENGTH, REINFORCED CONCRETE SLAB.

For complete technical specification please see
 ILS-00986 "VPL-3200B Series Residential Vertical Platform Lift Technical Specification"



UNITS WITH STRAIGHT THROUGH PLATFORM

