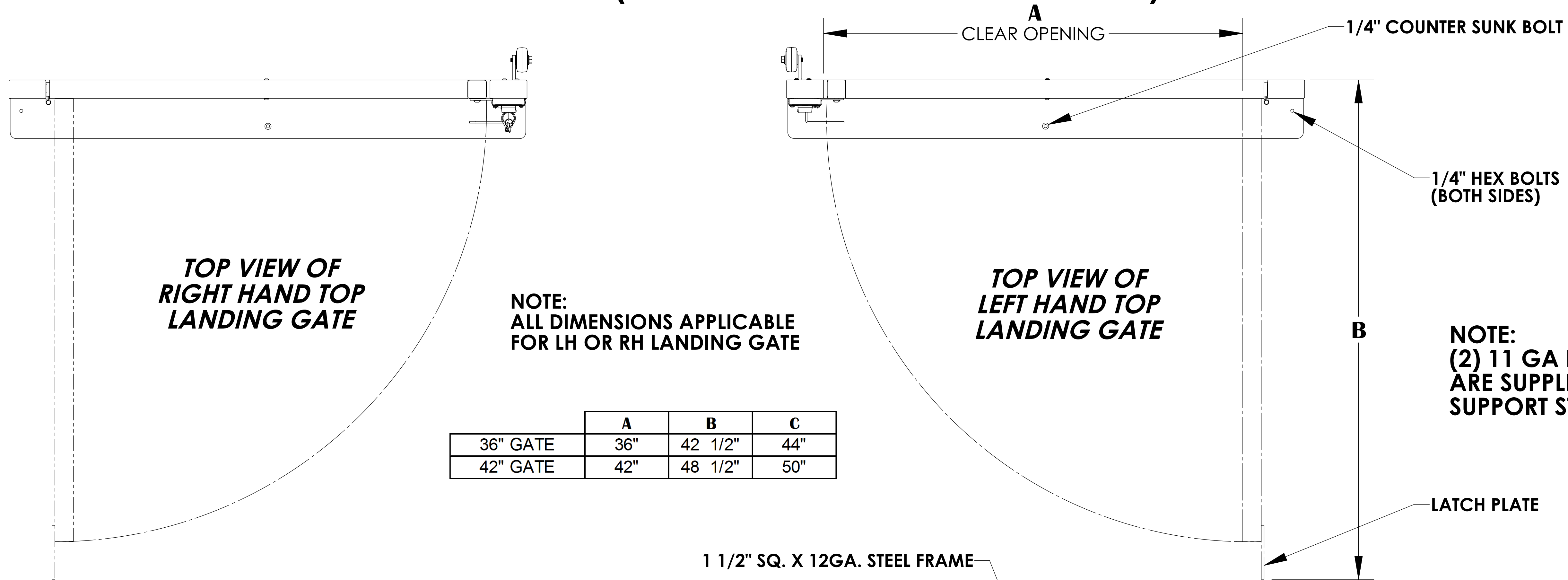


# LANDING GATE DETAIL

## VPL-3100/VPL-3200B SERIES VERTICAL PLATFORM LIFT

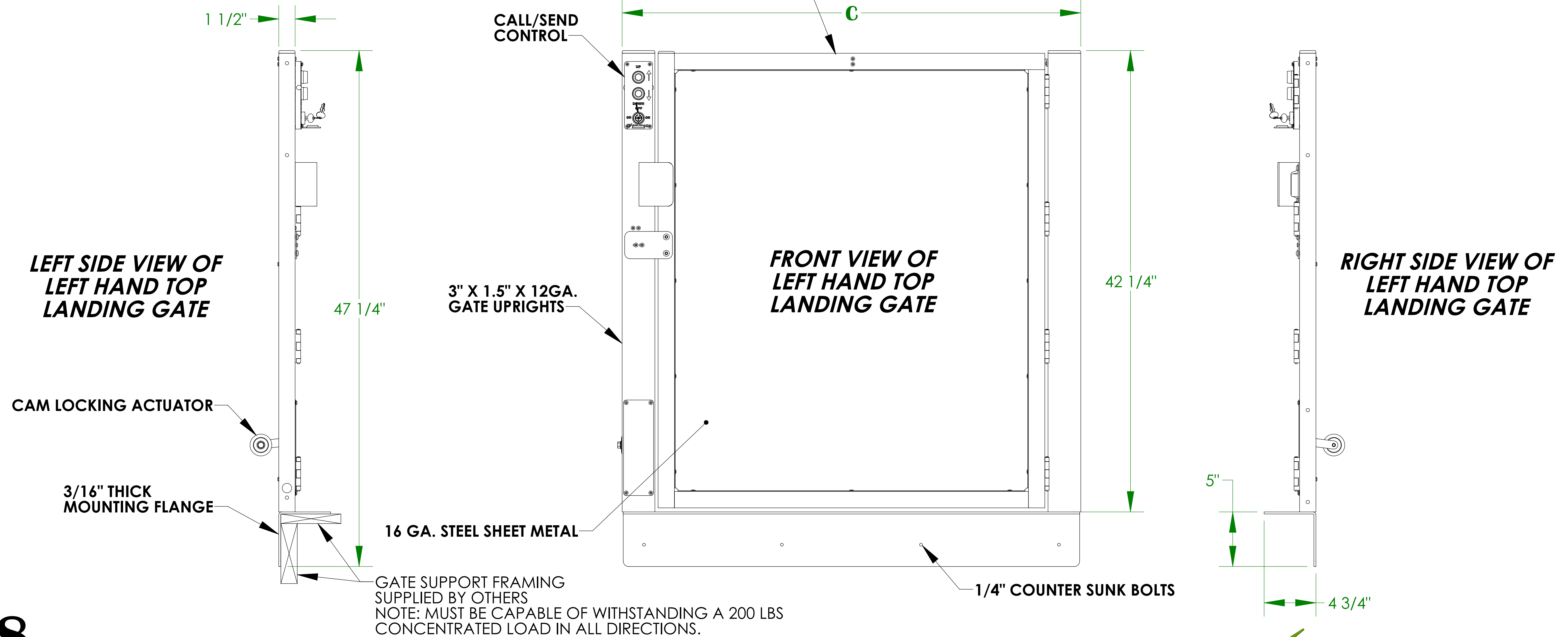
### (VIEWED AT TOP LANDING)



**NOTE:**  
ALL DIMENSIONS APPLICABLE  
FOR LH OR RH LANDING GATE

	A	B	C
36" GATE	36"	42 1/2"	44"
42" GATE	42"	48 1/2"	50"

**NOTE:**  
(2) 11 GA INSTALLATION BRACKETS  
ARE SUPPLIED FOR MOUNTING TO  
SUPPORT STRUCTURE.

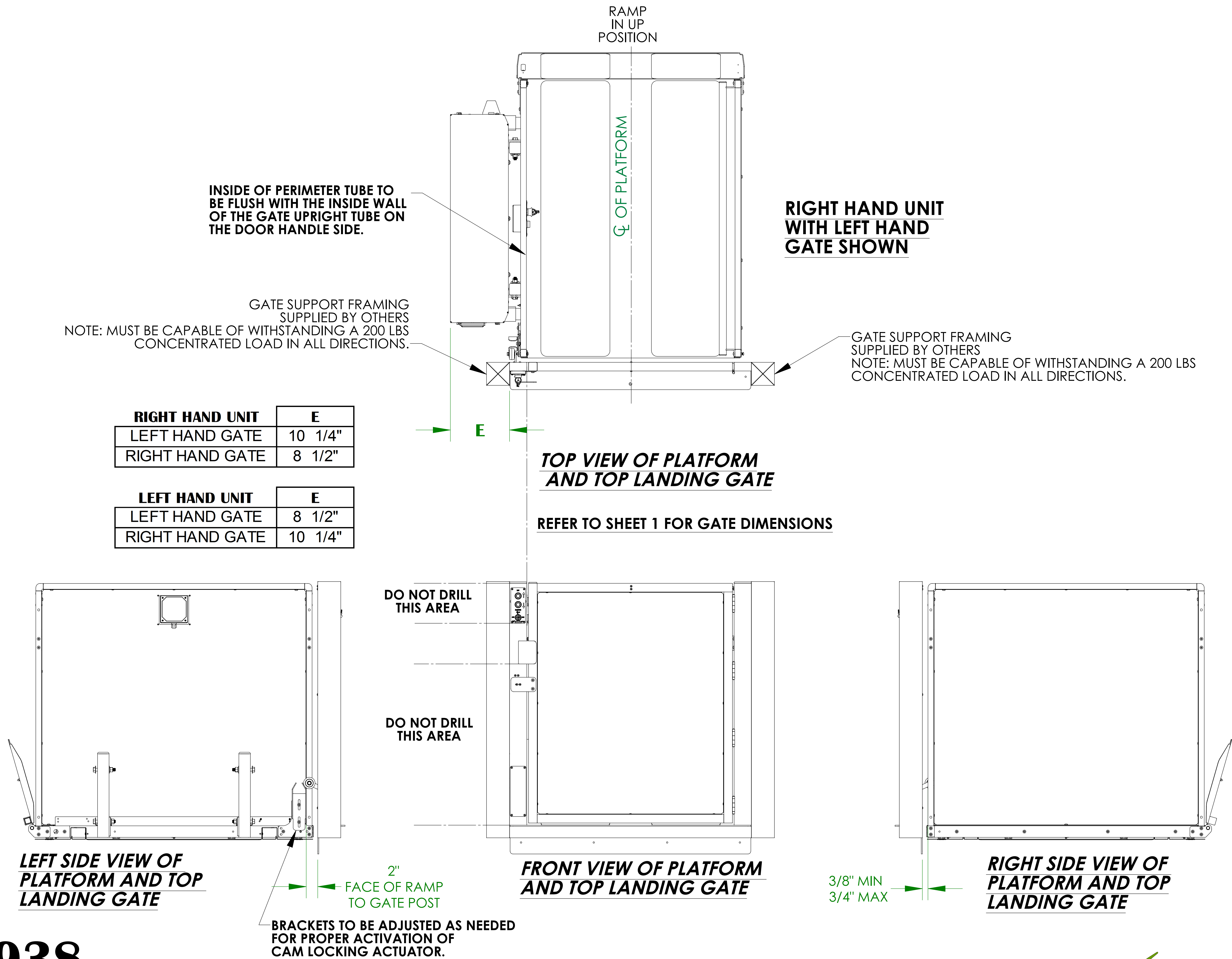


GATE SUPPORT FRAMING  
SUPPLIED BY OTHERS  
NOTE: MUST BE CAPABLE OF WITHSTANDING A 200 LBS  
CONCENTRATED LOAD IN ALL DIRECTIONS.

# LANDING GATE ALIGNMENT (STRAIGHT-THRU PLATFORM)

## VPL-3100/VPL-3200B SERIES VERTICAL PLATFORM LIFT

### (VIEWED AT TOP LANDING)





# LANDING GATE ALIGNMENT (90°/ADJACENT EXIT PLATFORM)

## VPL-3100/VPL-3200B SERIES VERTICAL PLATFORM LIFT

### (VIEWED AT TOP LANDING)

