

# TECHNICAL DATA/SPECIFICATION

MODEL: SRE-3000 ELAN STRAIGHT RAIL STAIRLIFT, PRIVATE RESIDENCE ONLY

RATED LOAD: 300 LBS, ONE PASSENGER

POWER SOURCE: 24 VOLT DC COMPRISED OF (2) 3 AMP/HR  
12 VOLT SEALED BATTERIES  
105-230 VOLT AC 0.6 AMP, 24 VOLT DC 1 AMP  
CONTINUOUS MONITORING CHARGER.

DRIVE: 24 VOLT DC DIRECT DRIVE SELF LOCKING POSITIVE GEARED MOTOR,  
2 POLE RATED .18 HP MAX., RIGHT ANGLE WORM GEARBOX,  
50Nm (442in.lb.) TORQUE MAX., 25.5 RPM SPEED MAX.,  
16 AMP CURRENT MAX.

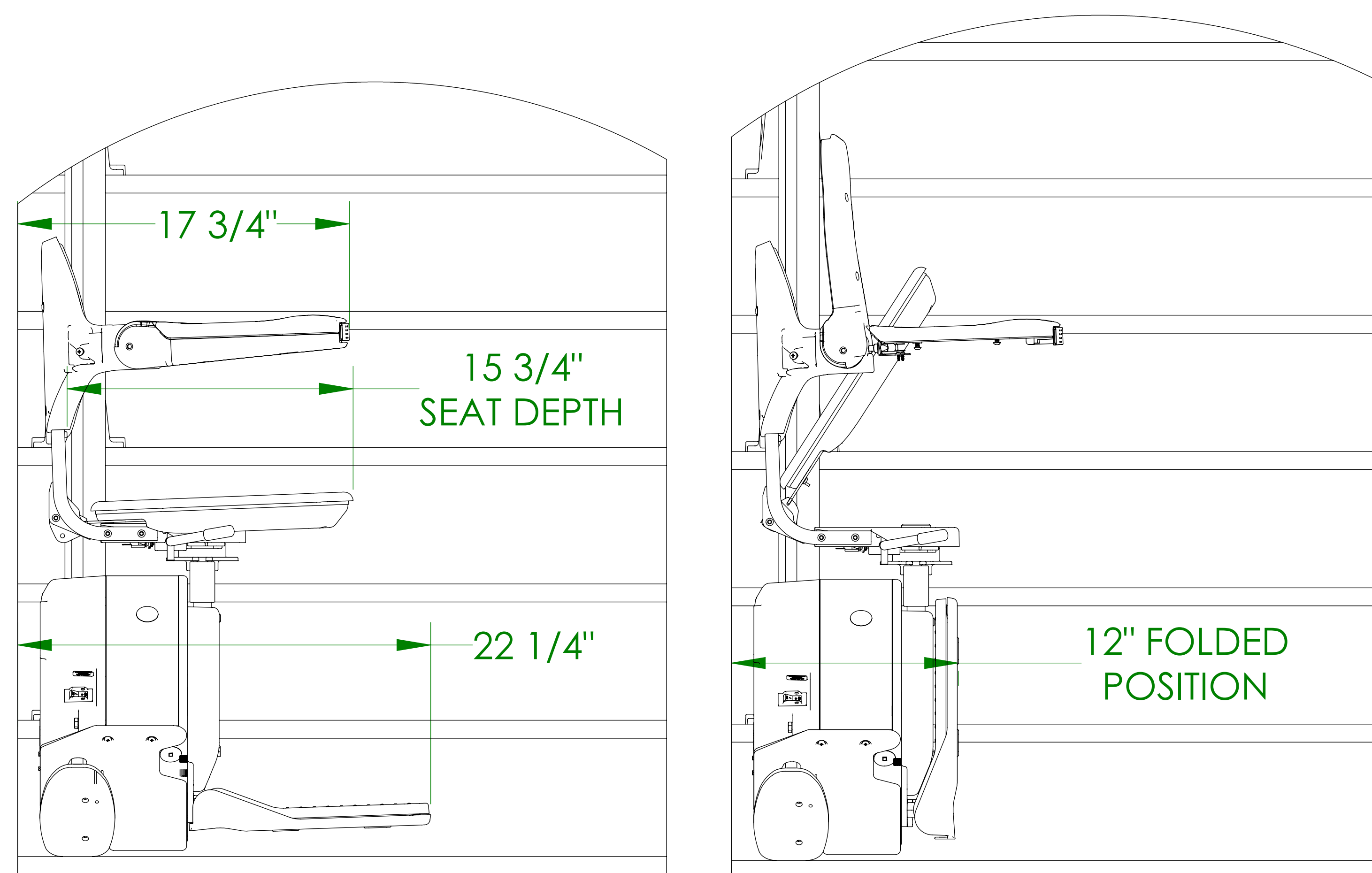
SUSPENSION: RACK & PINION - INTEGRATED 8DP GEAR RACK  
ON RAIL WITH SPUR GEAR ON THE OUTPUT SHAFT  
OF GEARBOX.

BRAKING: DYNAMIC MOTOR BRAKING THROUGH THE MOTOR  
CONTROLLER, WORM GEAR, ELECTRO-MECHANICAL  
MOTOR BRAKE AND OVERSPEED PROTECTION.

CONTROLS: CONTINUOUS PRESSURE ROCKER SWITCH LOCATED  
ON THE ARMREST AND WALL MOUNTED CALL/SEND  
CONTROLS LOCATED AT BOTH THE TOP AND BOTTOM  
LANDINGS.

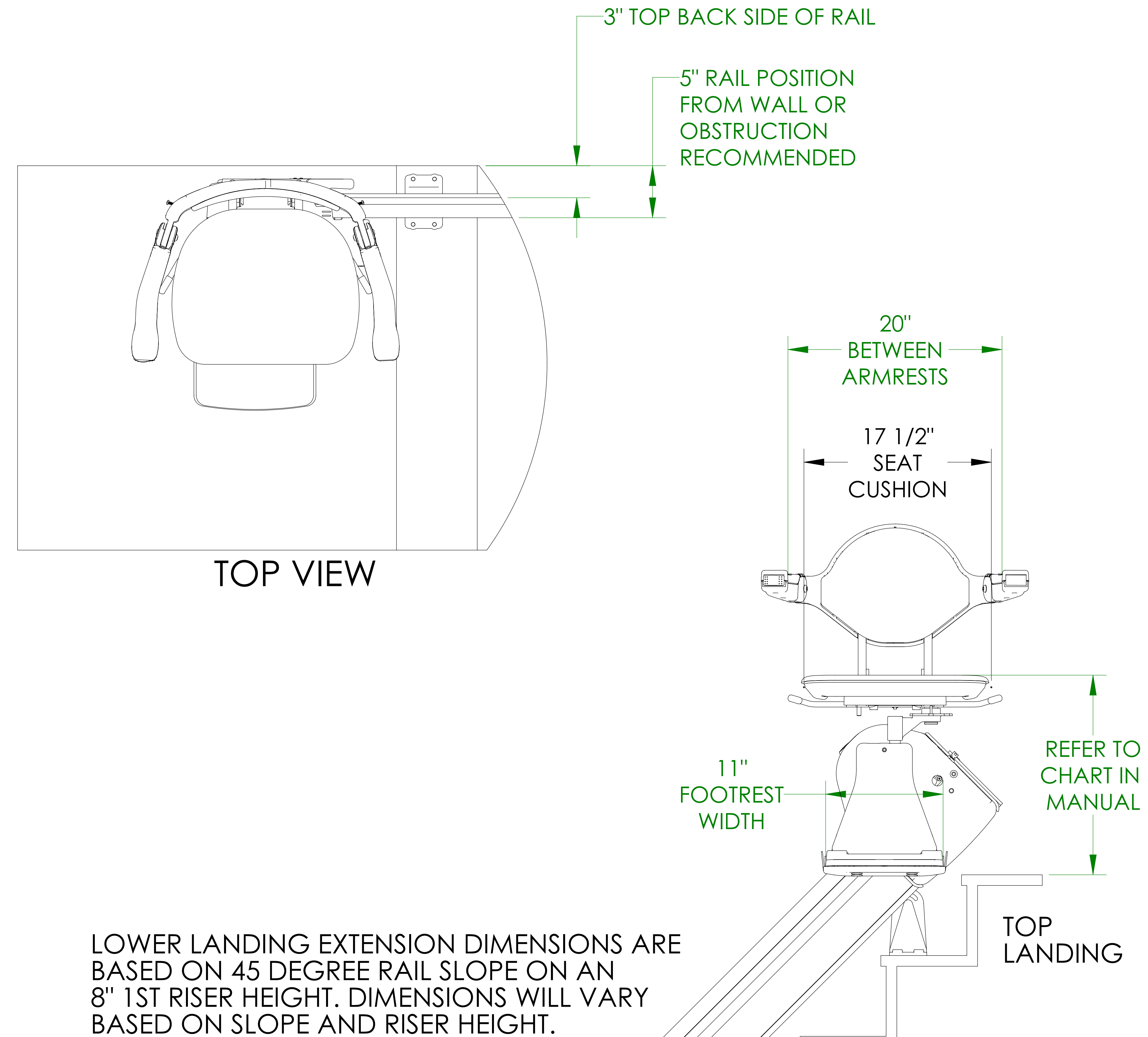
ANGLES: 22 TO 45 DEGREES (SPECIALS UP TO 52 DEGREES),  
RIGHT OR LEFT HAND ORIENTATIONS.

FINAL LIMIT SWITCH: STANDARD



SIDE VIEWS

DIMENSIONS SHOWN IN SIDE VIEWS  
ARE BASED ON 4-1/2" RAIL POSITION  
FROM WALL OR OBSTRUCTION

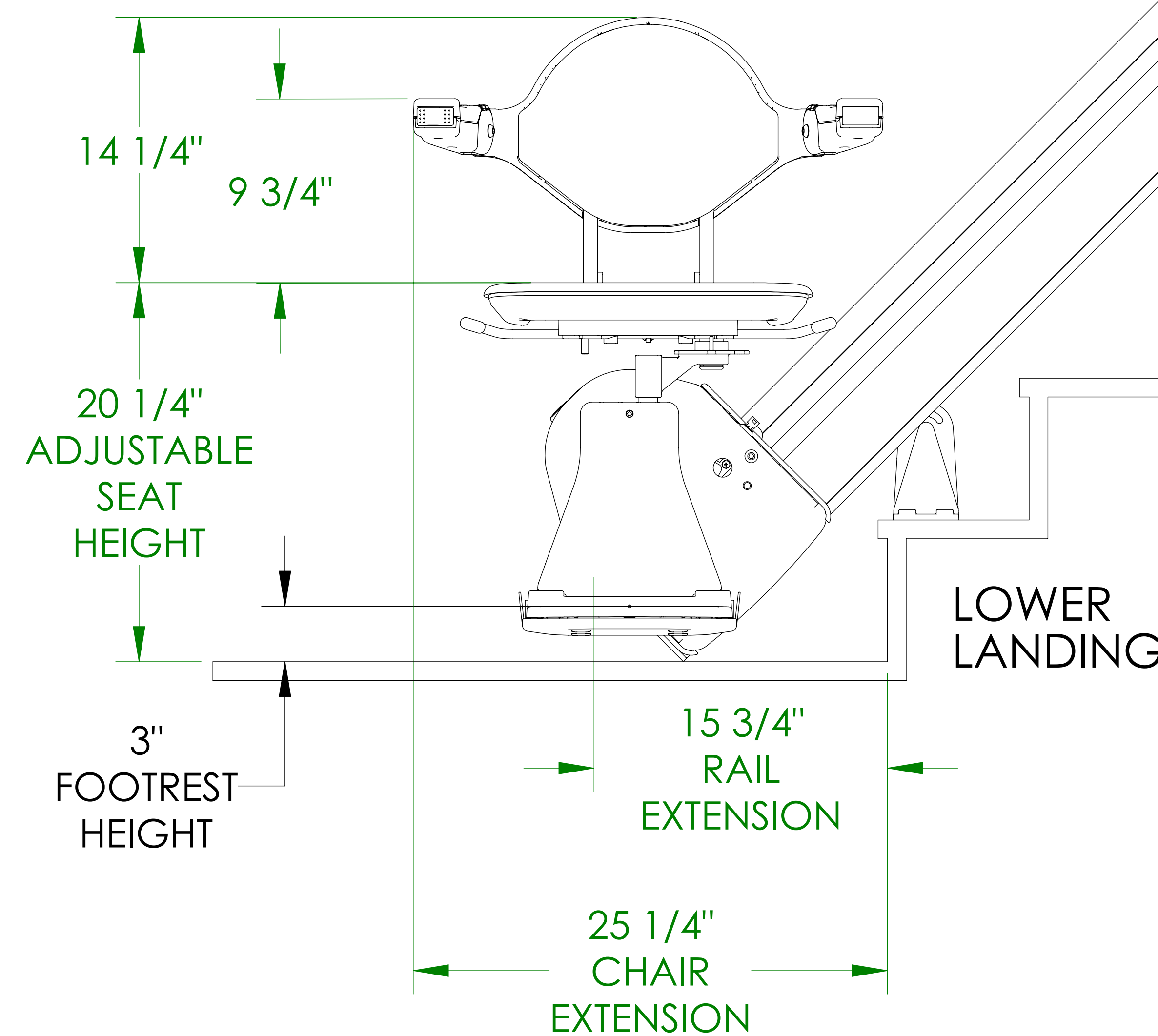


TOP VIEW

REFER TO  
CHART IN  
MANUAL

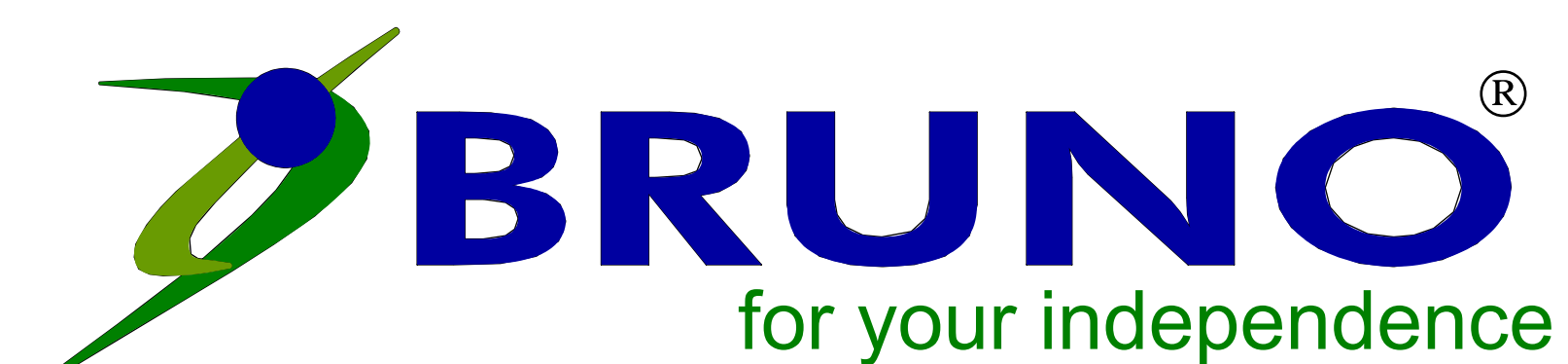
LOWER LANDING EXTENSION DIMENSIONS ARE  
BASED ON 45 DEGREE RAIL SLOPE ON AN  
8" 1ST RISER HEIGHT. DIMENSIONS WILL VARY  
BASED ON SLOPE AND RISER HEIGHT.

ELEVATION VIEW



LOWER  
LANDING

1780 Executive Drive  
P.O. 84  
Oconomowoc, WI 53066  
Tel 800-882-8181  
Fax 262-953-5501  
www.bruno.com

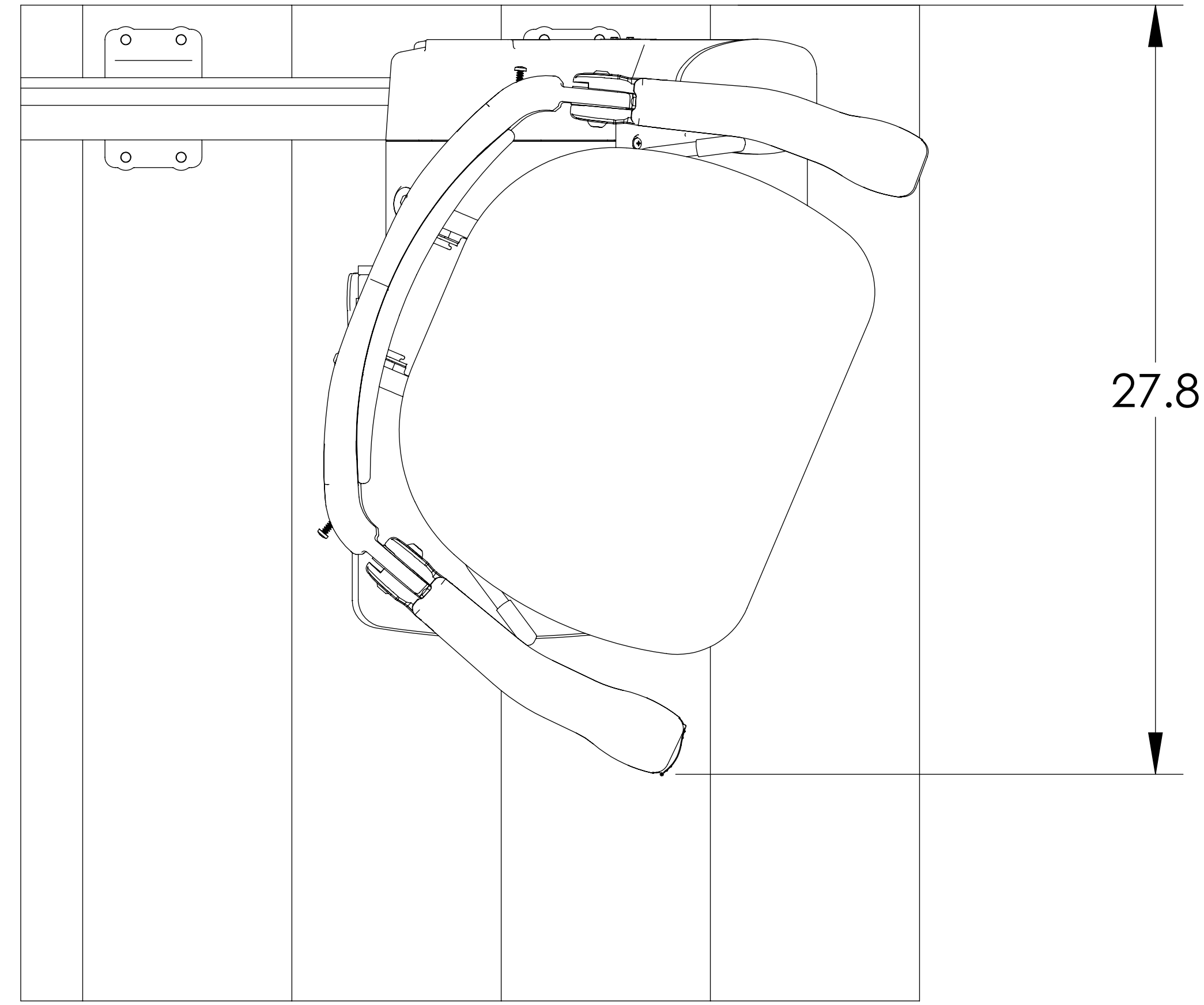


©Bruno Independent Living Aids, Inc.

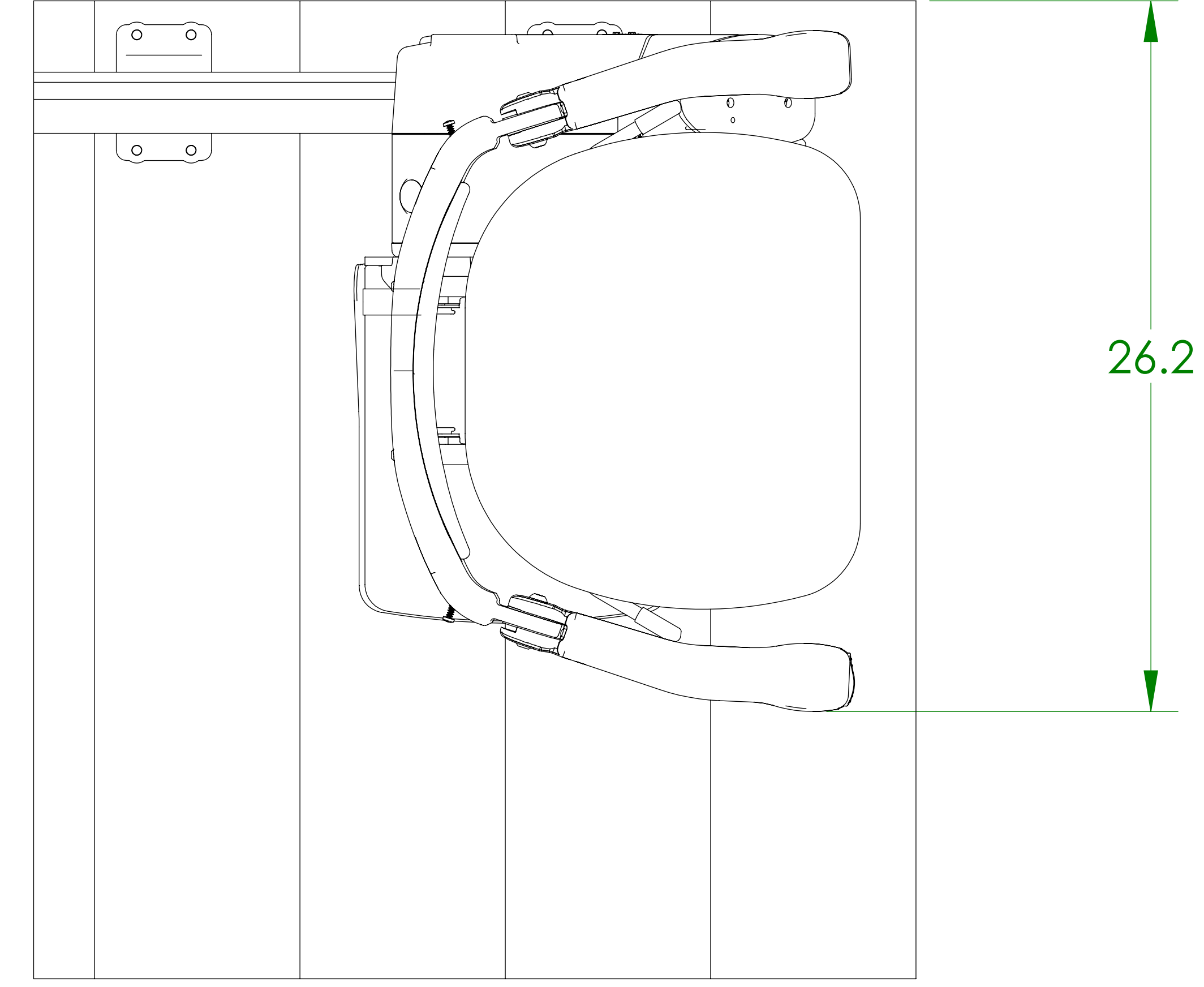
**ILS-01021**  
**SHEET 1 OF 3**  
**REV. 3 (5390)(5/9/13)(DPG)**

# SRE-3000

## DISTANCE FROM WALL - SEAT SWIVELED



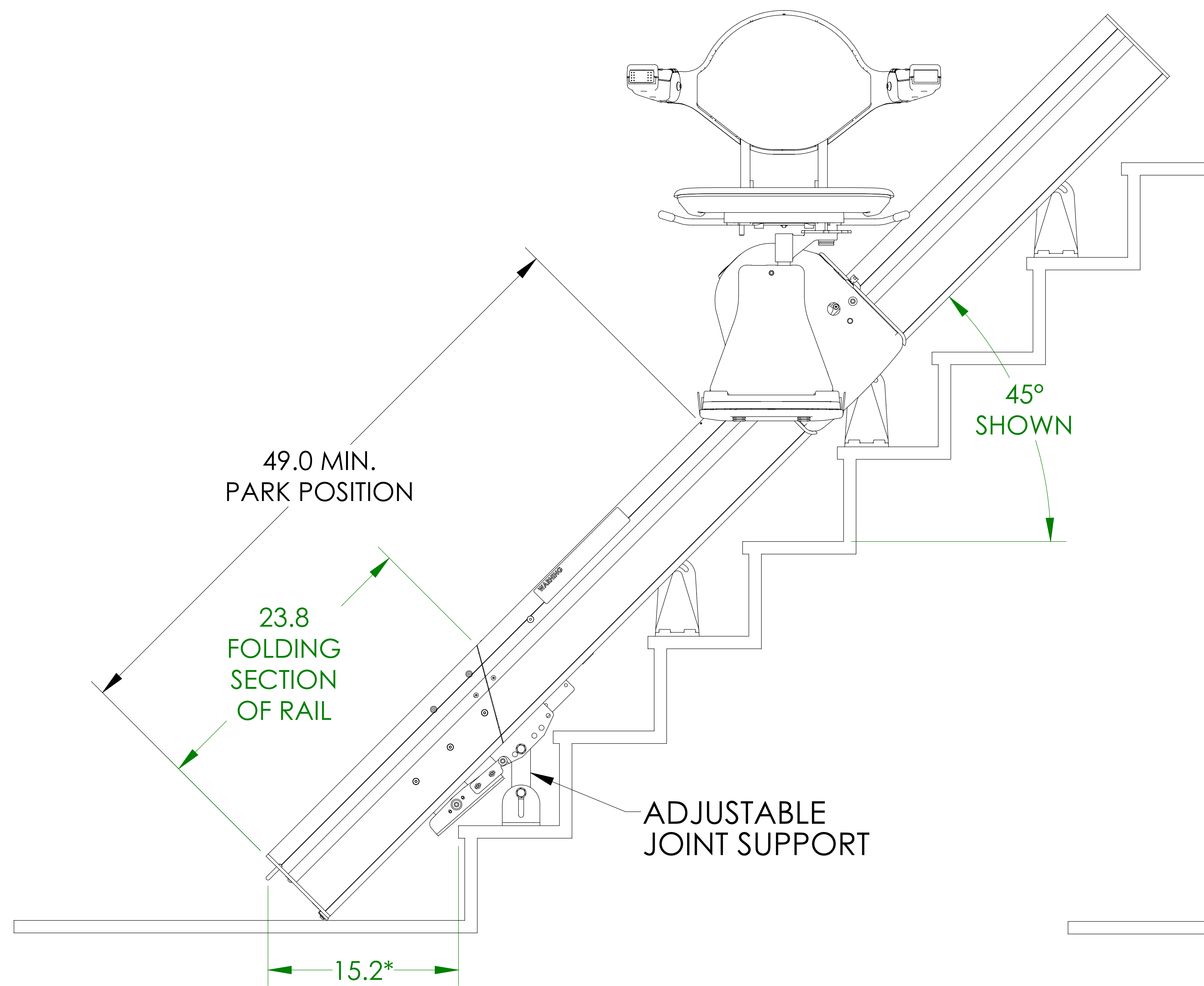
SEAT SWIVELED 67°



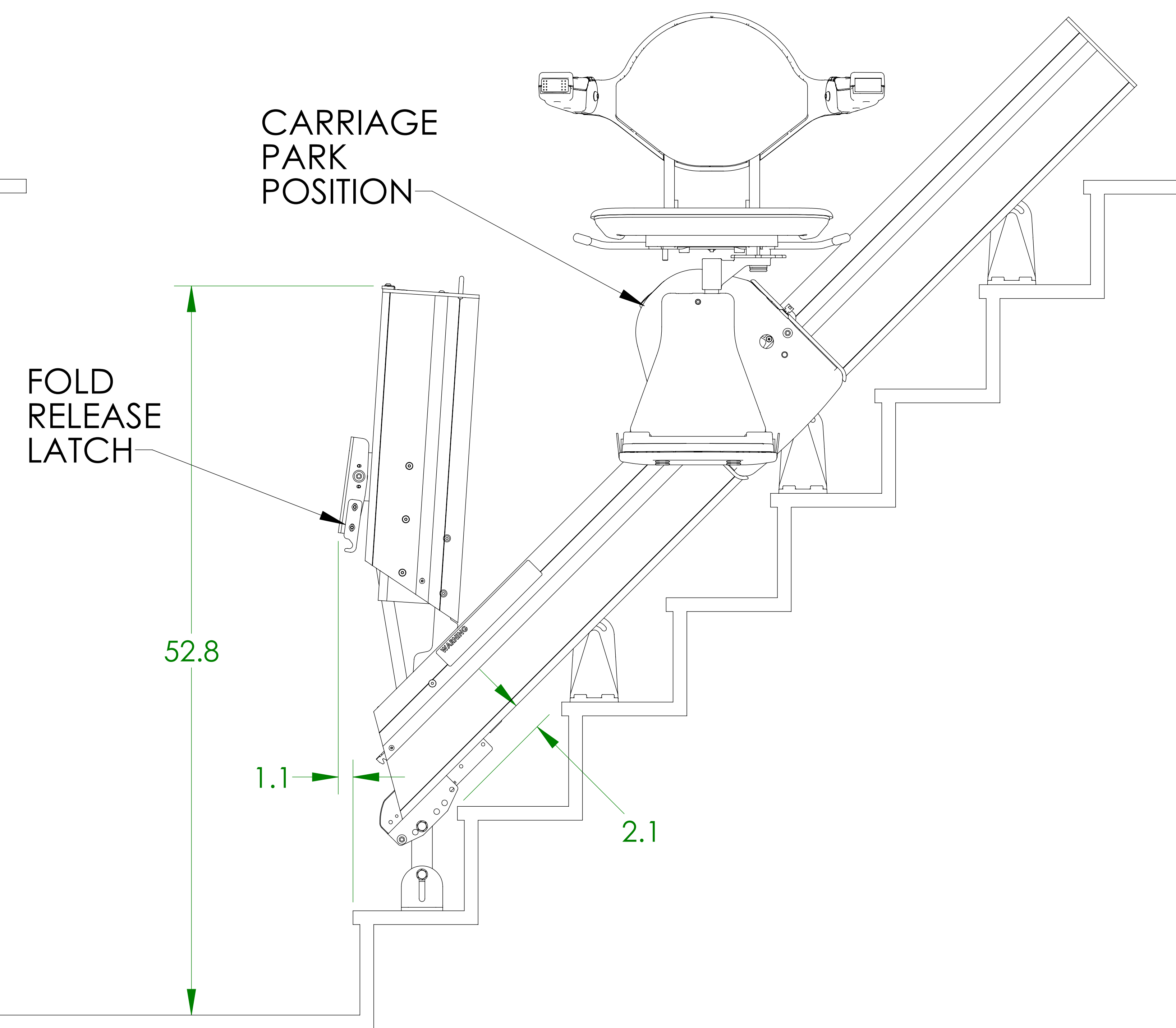
SEAT SWIVELED 90°

# SRE-3000 FOLDING RAIL

## AUXILIARY ELEVATION VIEW RAIL FOLDED DOWN POSITION



## AUXILIARY ELEVATION VIEW RAIL FOLDED UP POSITION



\*LOWER LANDING EXTENSION DIMENSIONS ARE BASED ON 45° RAIL SLOPE AND 8" RISER HEIGHT. DIMENSIONS WILL VARY BASED ON SLOPE AND RISER HEIGHT.